

Treatment Unit Tank Volume 2000 L

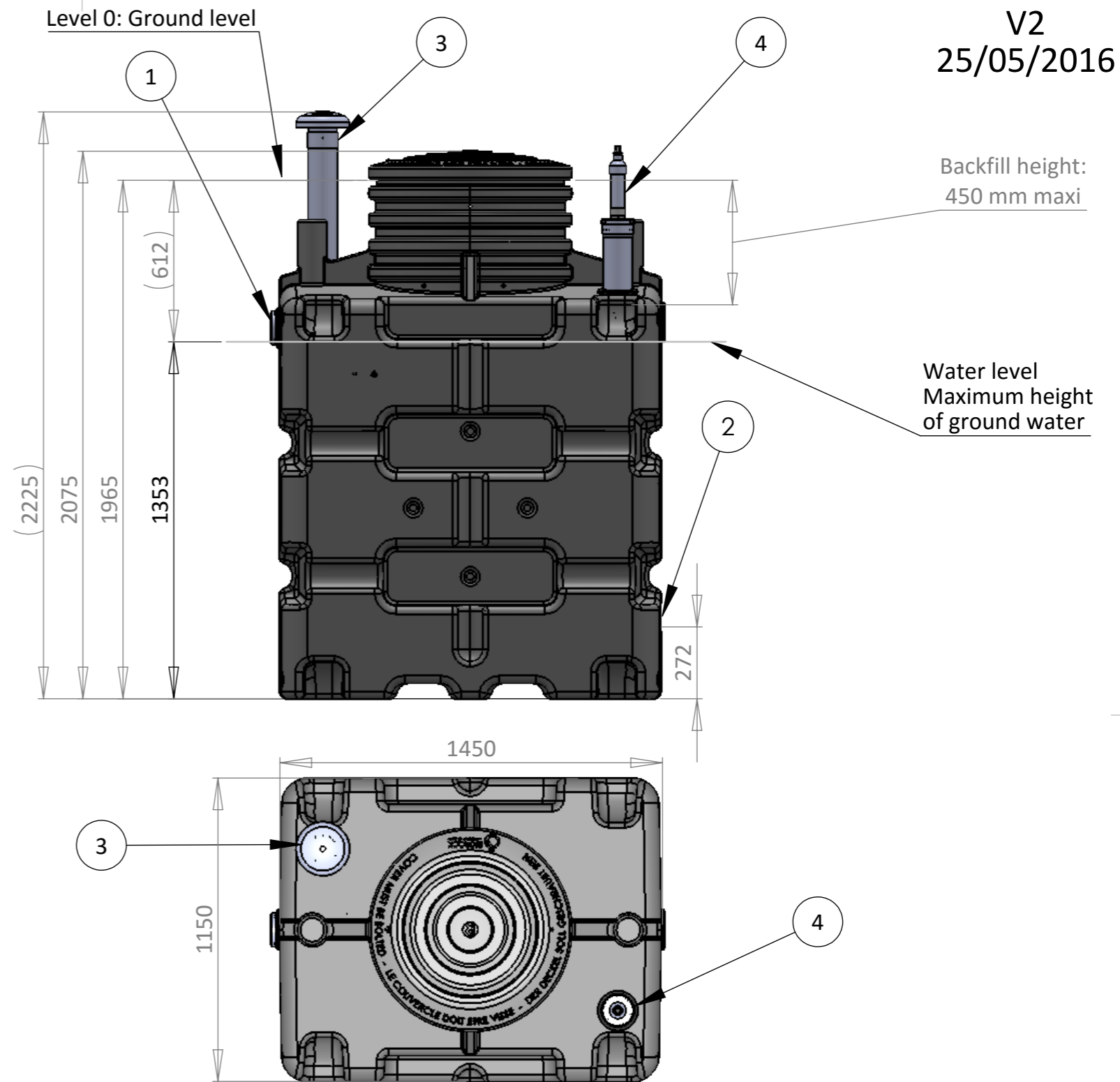
1	Water inlet
2	Water outlet
3	Air inlet
4	Overflow Alarm

Characteristics	Value	Unit
Treatment Unit		
Minimum volume of pre-treatment*		liters/PE
Capacity in population equivalent		PE
Daily volume of wastewater**		liters/day/PE
Daily hydraulic load		m ³ /day
Organic load per PE		gr.BOD ₅ /PE/day
Organic load raw effluent up to		kg BOD ₅ /day

Specification	Value	Unit
Tank Volume	2000	Liters
Overall length	1450	mm
Overall width	1150	mm
Total height of the tank	2075	mm
Overall height (+ventilation pipe)	2225	mm
Total weight (without water)	241	Kg
Pipe diameter	110	mm

This treatment unit can be installed in high ground water table.

*minimum 2000 liters of pre-treatment
**according to DIN EN 12566-3



Overall tolerance: 3%

V2
25/05/2016

Service :				
ORIGINATOR				
	NAME	SIGNATURE	DATE	TITLE:
AUTHOR	AQ		12/05/2016	
APPROV.				CHANGES NAME SIGNATURE DATE AUTHOR AQ 12/05/2016 APPROV.
CHANGES				
N. of PLAN				UT-X2000 A3
AUTHOR				
APPROV.				SCALE:1:20